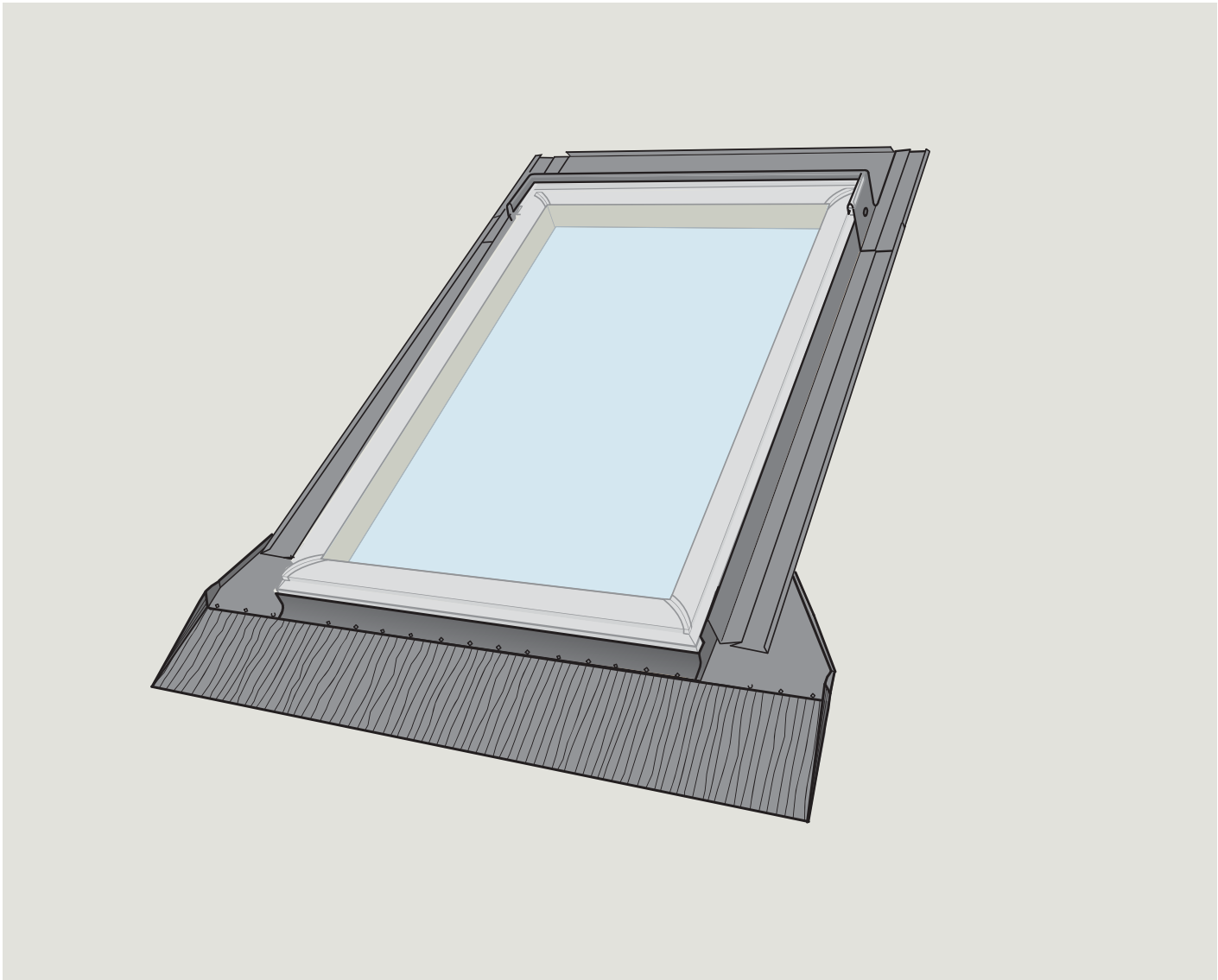




EDM + FS, VS, VSE, GGL, GPL



ENGLISH: EDL Deck Mounted Skylight and Roof Window Flashing Installation Instructions



VAS 452232-0909





ENGLISH: Index

Pages 2-3	Important installation requirements
Pages 4-5	Planning
Page 6	Installing underlayment
Pages 6-15	Installing flashing

ENGLISH: Important installation requirements

Roof pitch and roofing material

EDM is designed for metal roofs, roof pitches 14°-85° (3:12 - 137:12), profile height maximum 1 1/2 - 1 3/4" (38 - 45 mm).

EDM is not for copper roofing materials.

Snow and metal roofs

In areas with extreme snow conditions, snow jacks or other protection should be used above the skylight to prevent sliding snow from damaging the skylight.

Protection against sliding snow is particularly important on metal roofs with a roof pitch above 30° (7:12).

Seller assumes no obligation whatsoever for failure of an architect, installer or building owner to comply with all applicable laws, ordinances, building codes and safety requirements.

ENGLISH: Installation check list for skylights FS, VS and VSE

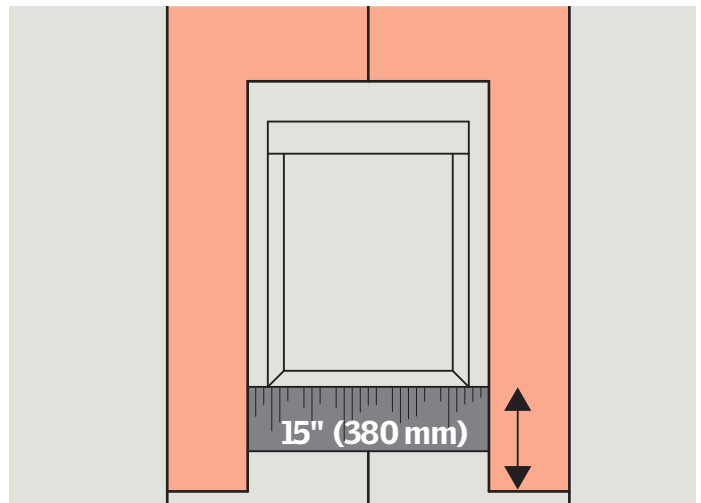
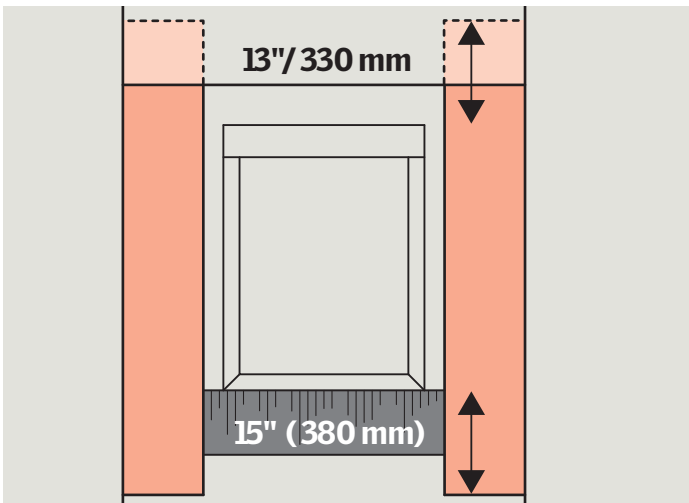
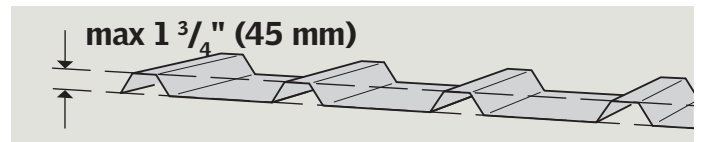
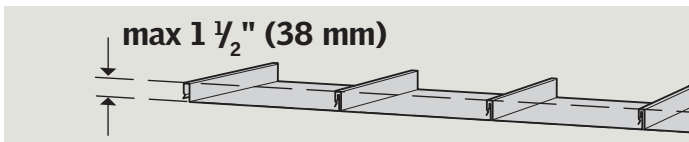
Installer should verify:

- Skylight is properly wrapped in VELUX adhesive skylight underlayment according to installation instructions supplied with the underlayment.
- Proper VELUX flashing for the actual roofing material is installed according to installation instructions supplied with the flashing.
- Skylight cladding is properly secured and counter-flashed over all flashing on the skylight frame.
- For deck mounted skylights FS, bottom frame rubber gasket extends over the bottom sill flashing and can be seen below the bottom frame cladding.
- For deck mounted skylights VSE, external rain sensor is secured to flashing or rain sensor mounting bracket at bottom frame of VSE skylight.
- Customer is informed of the required maintenance of the product as found at www.velux.com.
- Customer is informed of the warranty claim procedure. For full VELUX warranty, go to www.velux.com.

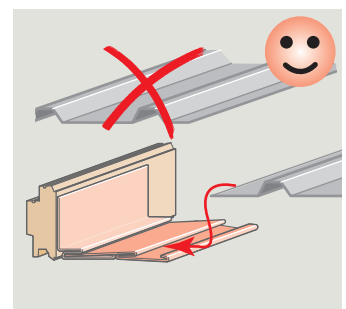
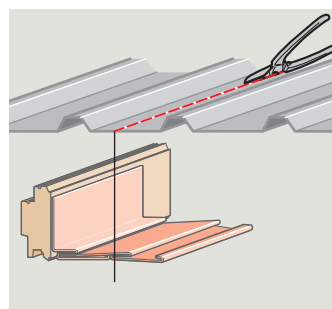
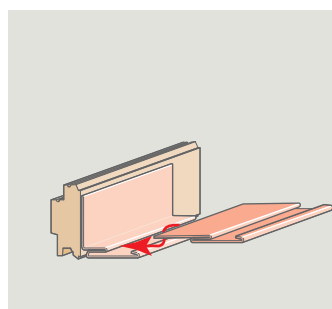
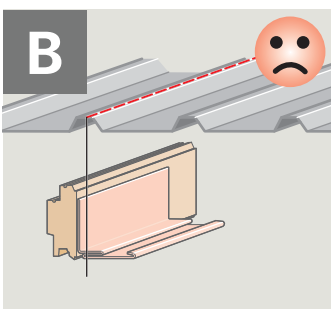
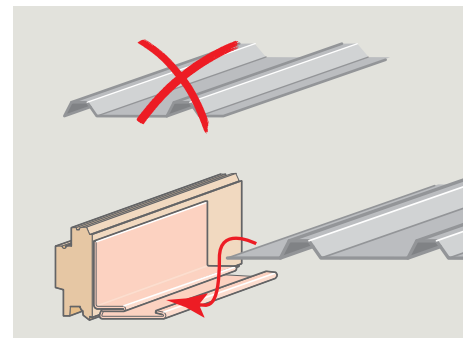
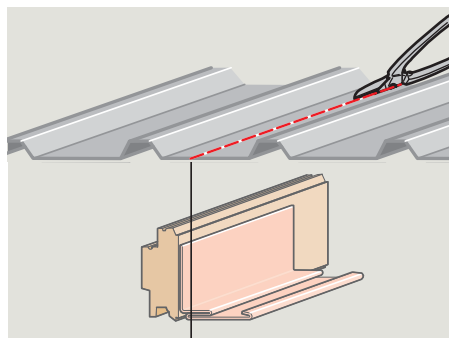
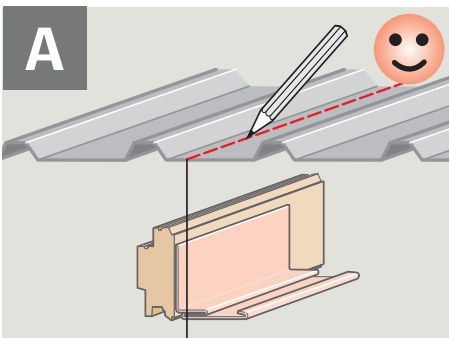
IMPORTANT: Failure to follow the above check list or install the skylight, flashing and blinds in accordance with VELUX instructions could void the VELUX warranty.



Important installation requirements



ENGLISH: EDM is designed for thin roofing materials (max thickness $1\frac{1}{2}$ - $1\frac{3}{4}$ " (38 - 45 mm)). Additional roofing material is always required to allow for necessary overlaps.



ENGLISH: The installation procedure depends on the location of the skylight in relation to the roofing material.

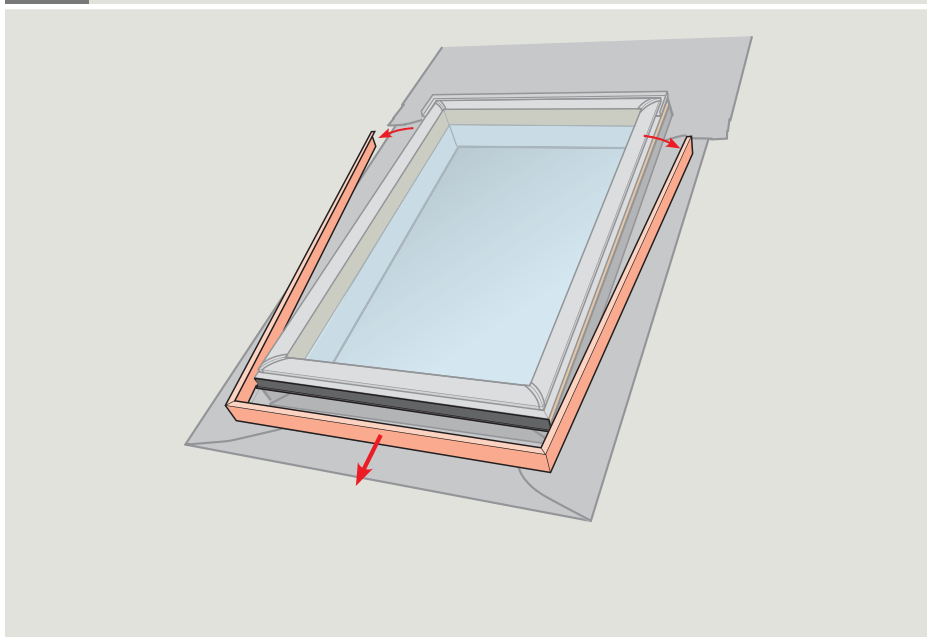
A: When the roofing material fits into the retaining channel on the side flashing section, the auxiliary flashing piece is not needed.

B: When the roofing material conflicts with the retaining slit in the side flashing section, the auxiliary flashing piece must be used to extend the side flashing section by $1"-3\frac{3}{8}"$ (25 - 96 mm).



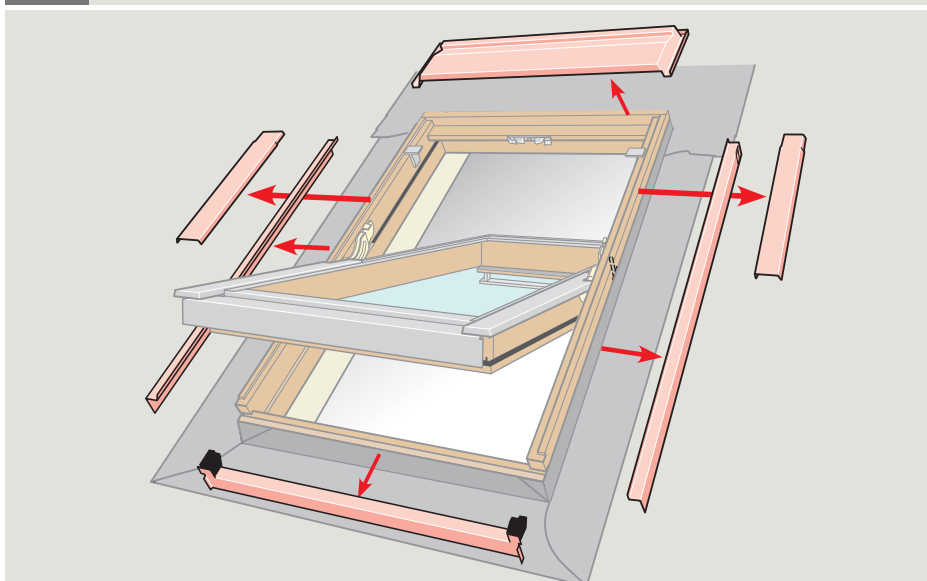
1a FS, VS, VSE

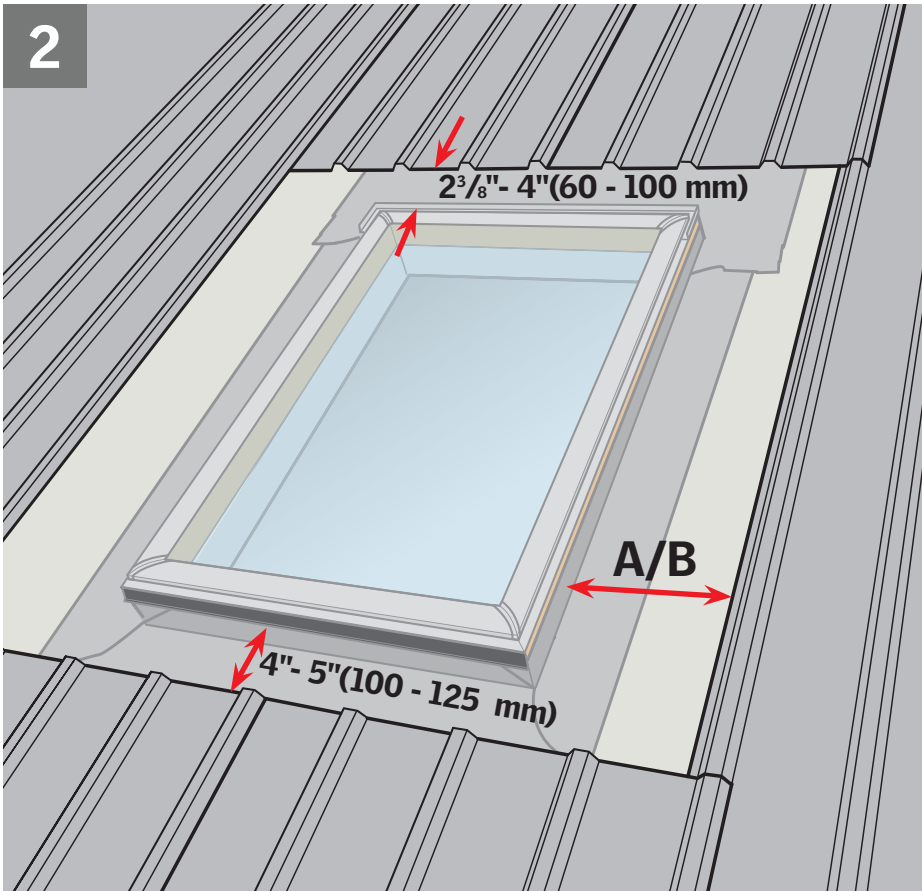
ENGLISH: Remove claddings as shown.



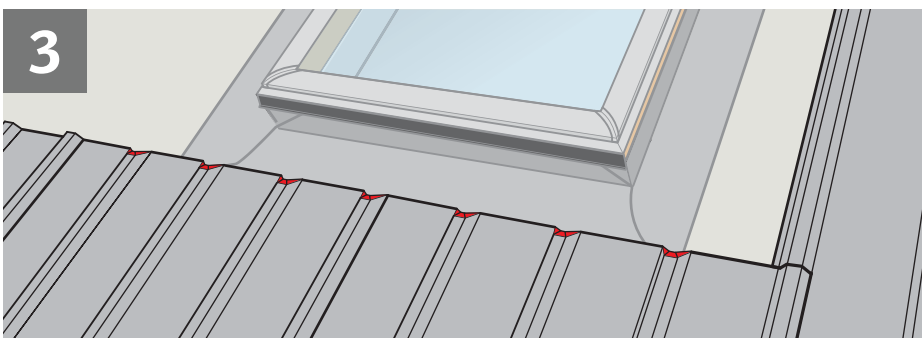
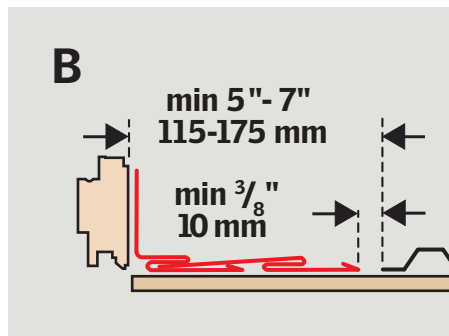
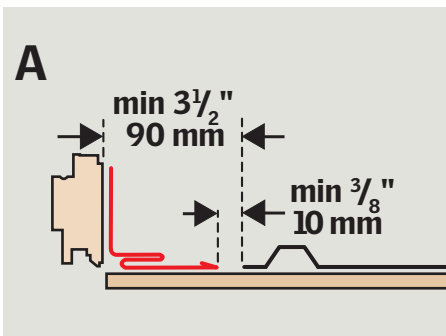
1b GGL, GPL

ENGLISH: Remove cladding as shown.



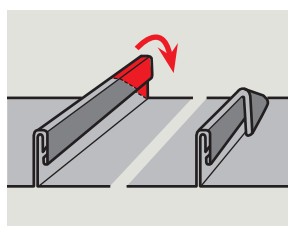
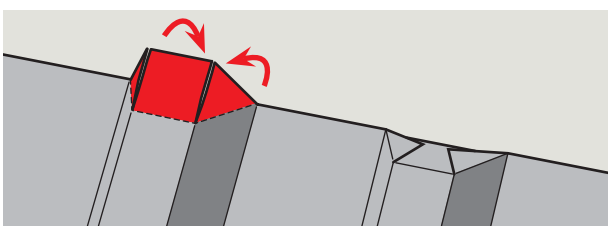


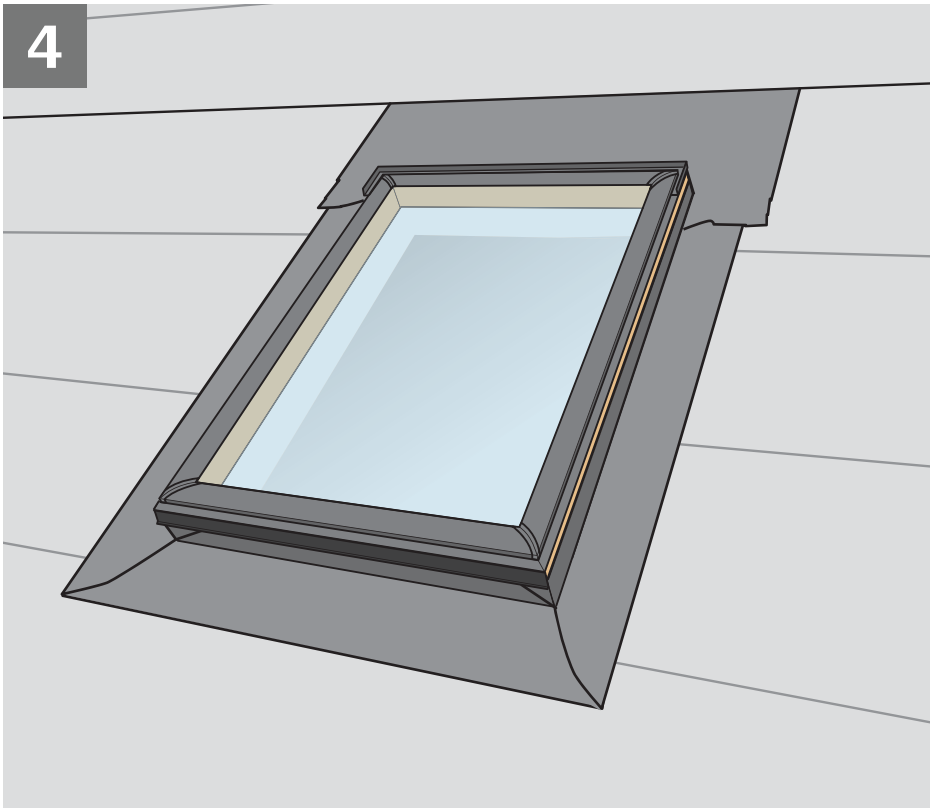
ENGLISH: Maintain illustrated clearances between frame and roofing material. If the skylight is located above a seam in the roofing material, the horizontal seam at the top can be avoided by removing all roofing material above the skylight. Minimum distance to the roofing material at the sides (A/B) depends on the use of the auxiliary flashing piece.



ENGLISH: Chamfer the edge of the roofing material for a smooth transition and to avoid sharp edges.

Note: Protect zinc/galvalume roofing materials from lead with protective barrier.





ENGLISH:

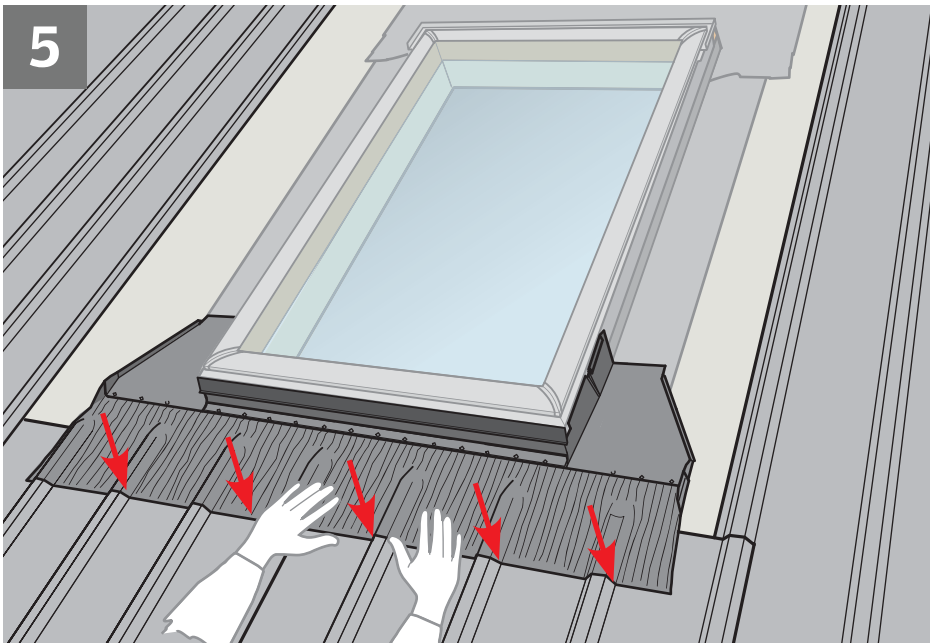
Underlayment FS, VS, VSE:

To ensure waterproofing, skylight frames should be completely wrapped in VELUX adhesive skylight underlayment supplied with the flashing. This underlayment must be applied before installing the flashing.

Follow instructions provided with the VELUX adhesive skylight underlayment.

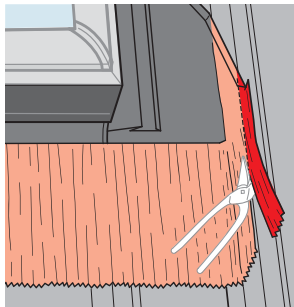
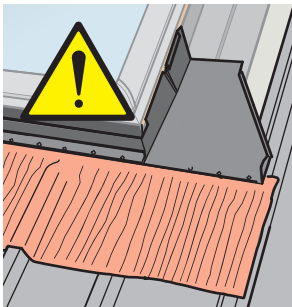
Underlayment GGL, GPL:

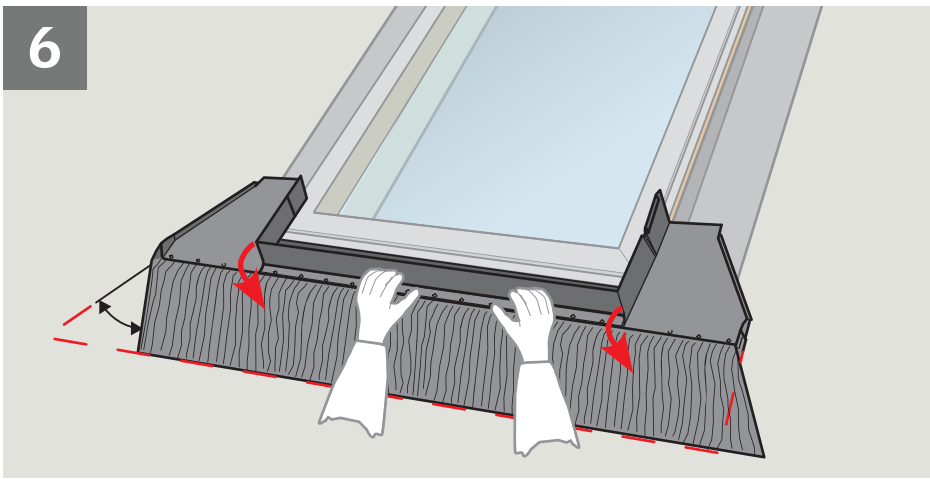
VELUX adhesive skylight underlayment may be replaced with other underlayment procedures following the instructions provided with the roof window.



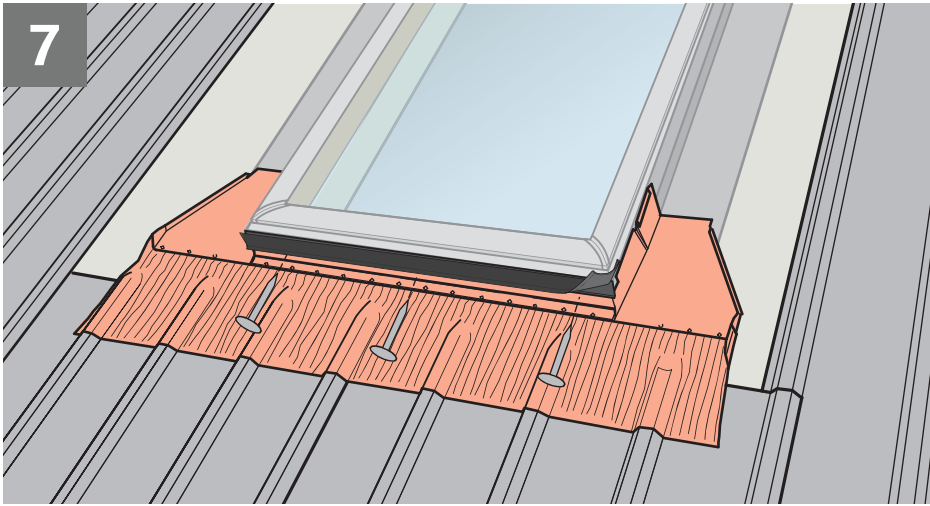
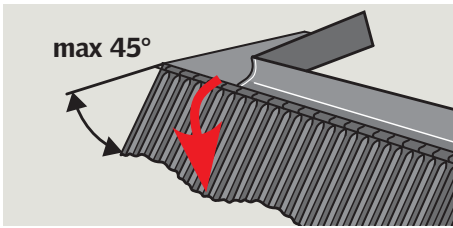
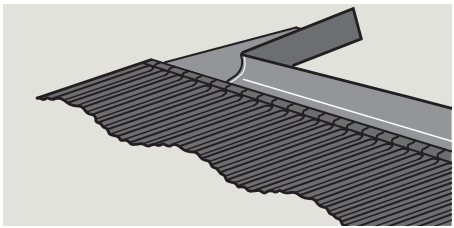
ENGLISH: Position sill flashing section and dress apron over the roofing material.

The sill flashing section must be modified when it overlaps the next whole panel of roofing material. Form sill flashing section against the upstanding profile of the roofing material and cut sill flashing section leaving an upstand no higher than the roofing profile.



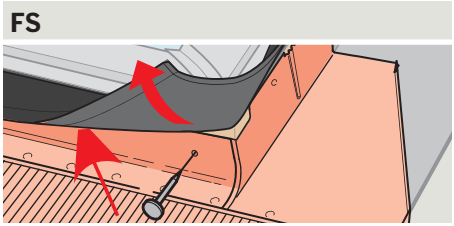


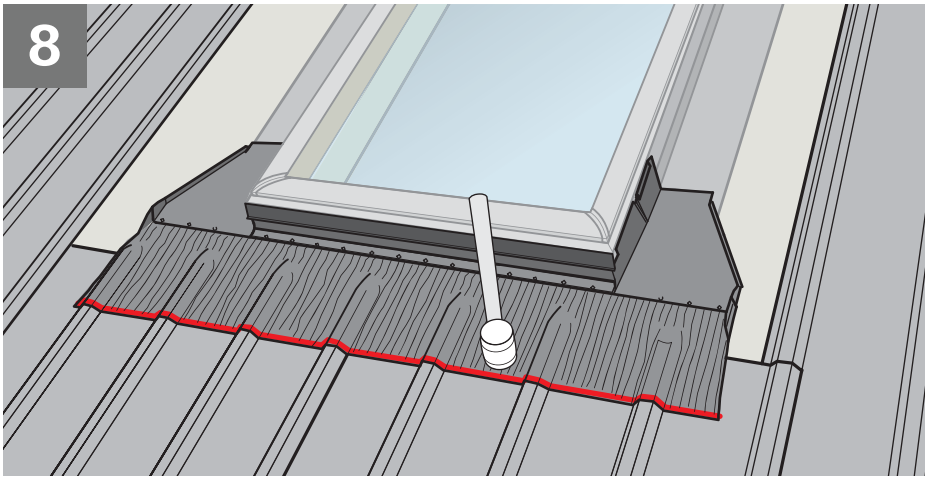
ENGLISH: Remove sill flashing section and bend the apron down as shown. This will ensure that the apron lies tightly against the roofing material.



ENGLISH: Reposition sill flashing section and attach it to bottom frame with roofing nails provided.

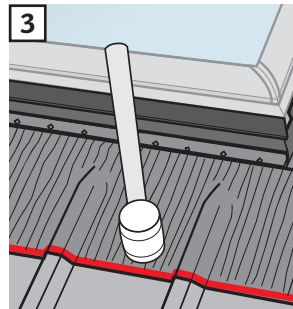
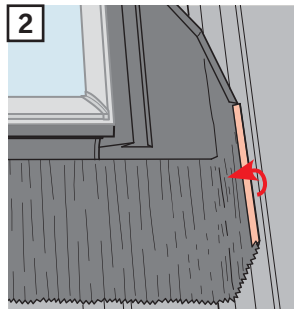
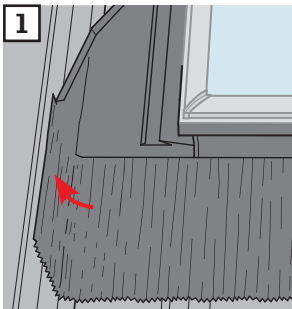
Skylight FS: The sill flashing section must be placed between the rubber gasket and the bottom frame.





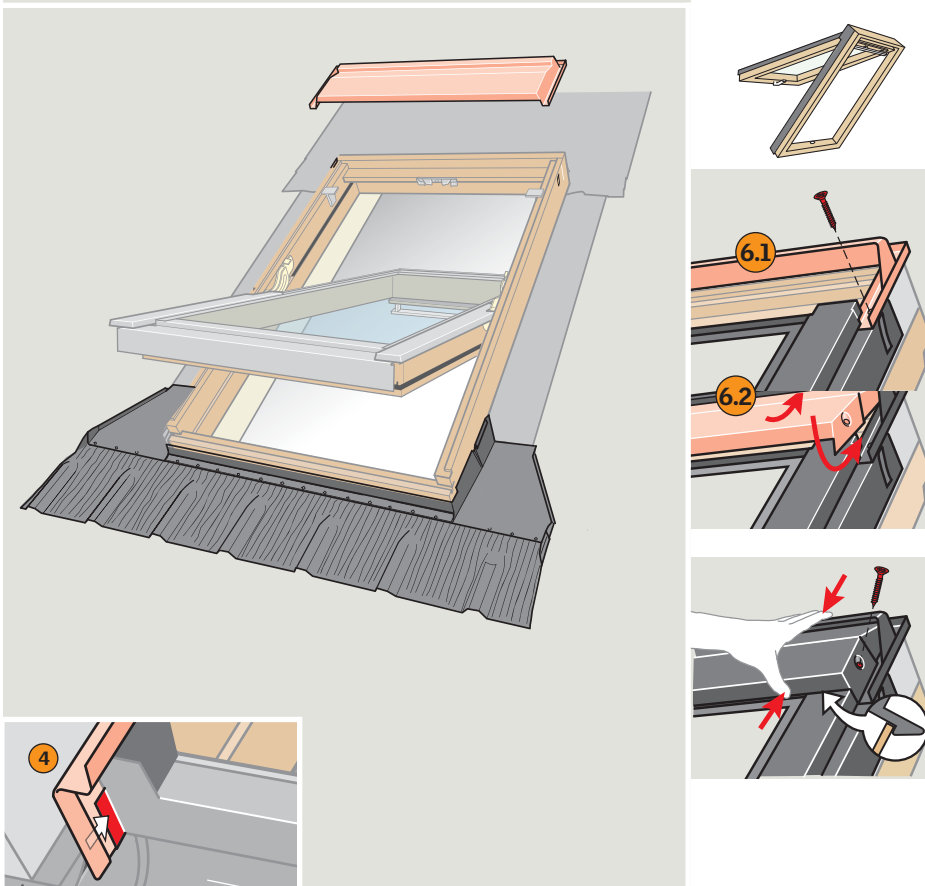
ENGLISH: Complete installation of sill flashing section.

- 1** Stretch out pleats at sides.
- 2** Fold sides of apron over to hold back water.
- 3** Flatten down bottom edge of apron over roofing material as shown.



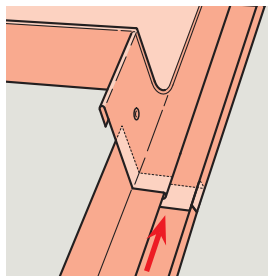
GGL, GPL

ENGLISH: Replace cladding as shown.

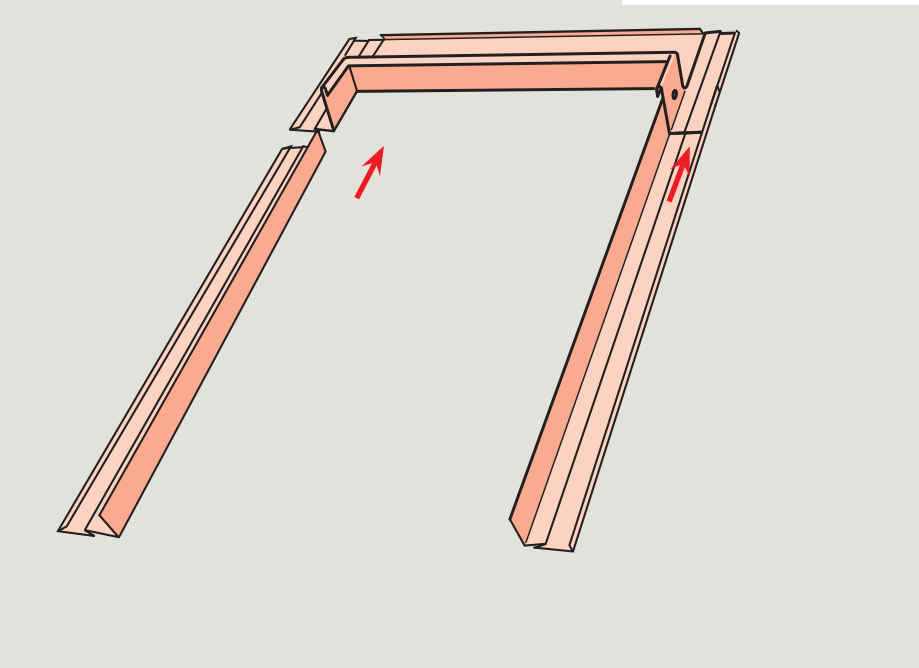


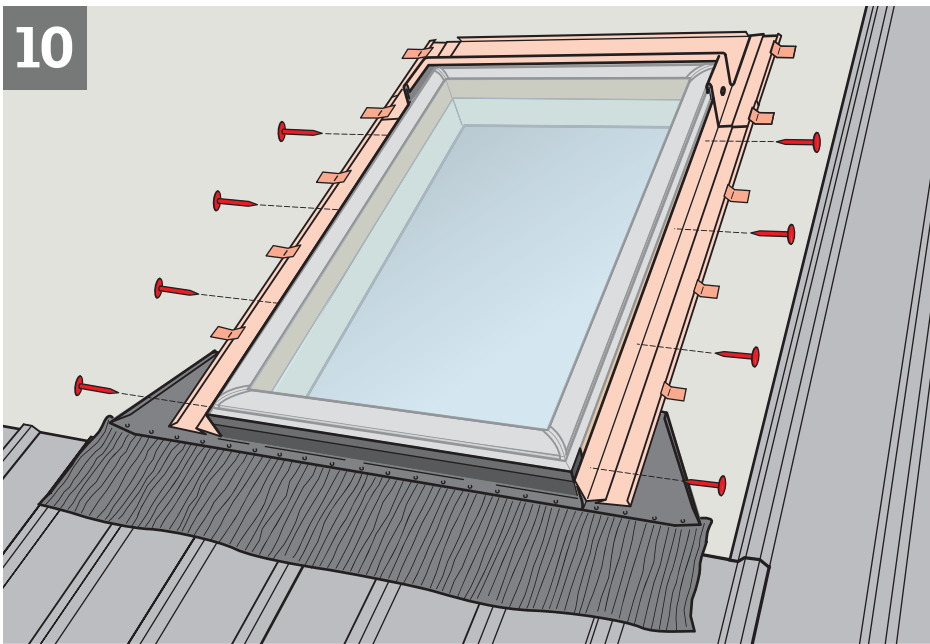


9



ENGLISH: Prior to installation: Assemble and interlock side flashing sections with saddle flashing as shown.

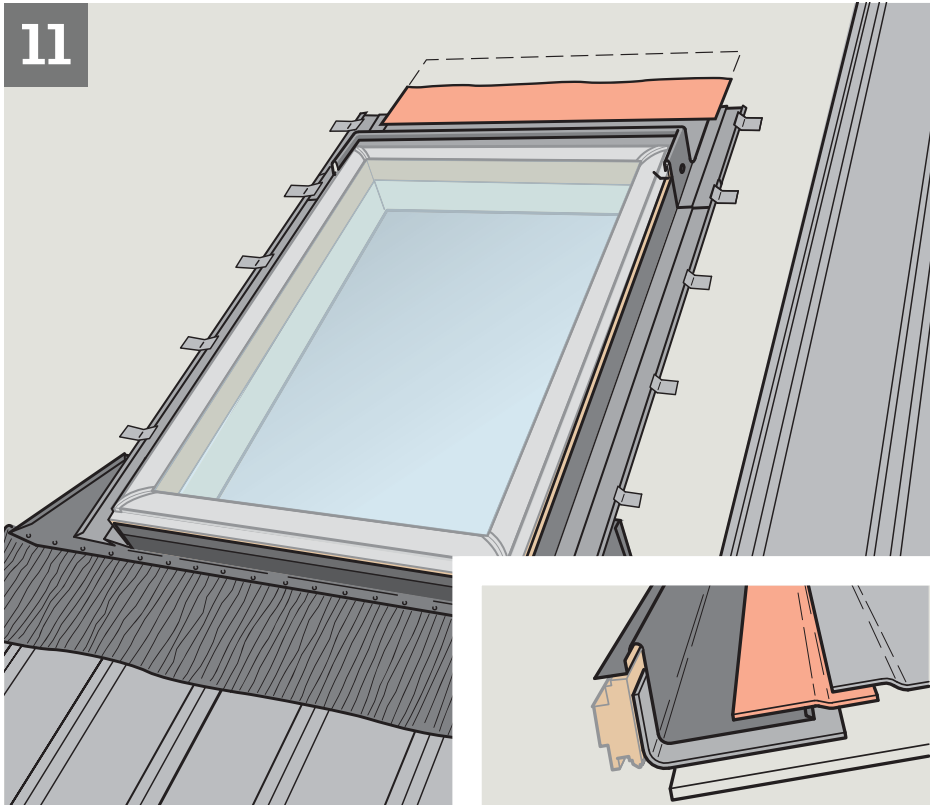
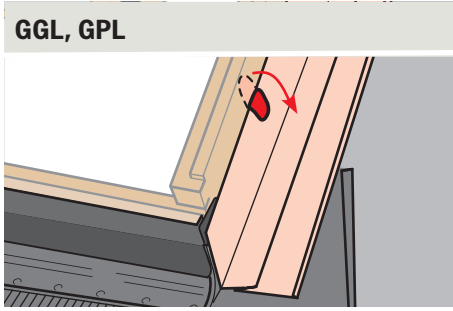
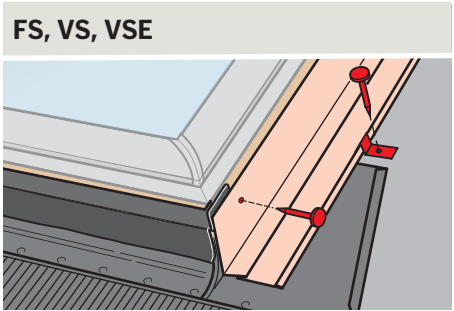




ENGLISH: Install and secure the side flashing sections and saddle flashing as shown.

FS, VS, VSE: Attach side flashing sections to frame with roofing nails provided.

GGL, GPL: Bend over frame flaps to secure.



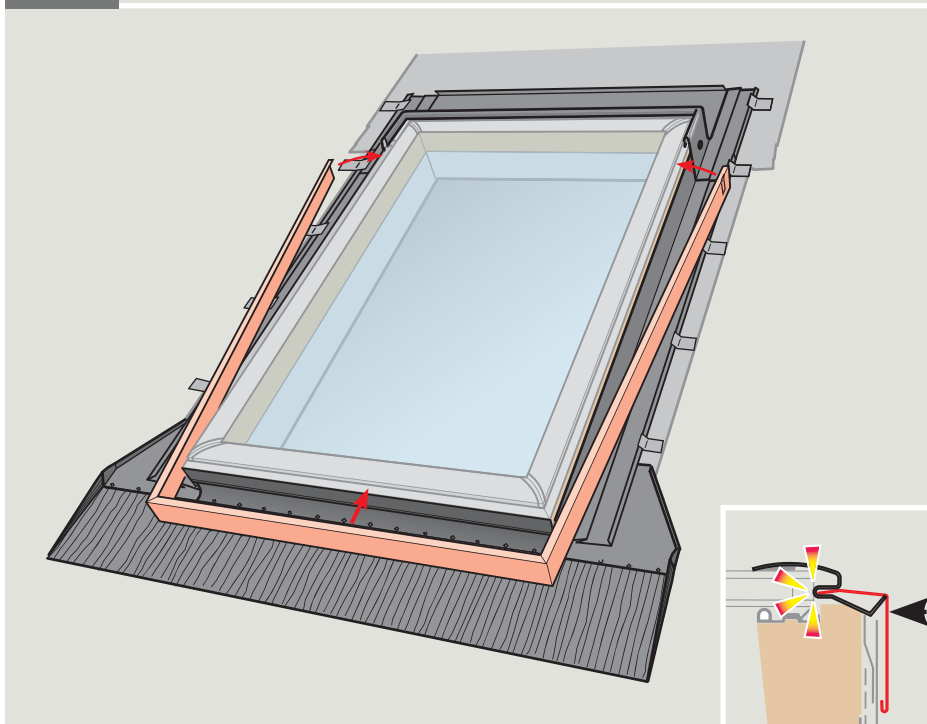
ENGLISH: Apply underlayment to allow drainage over the saddle flashing. Keep underlayment between retaining channels on side flashing sections.





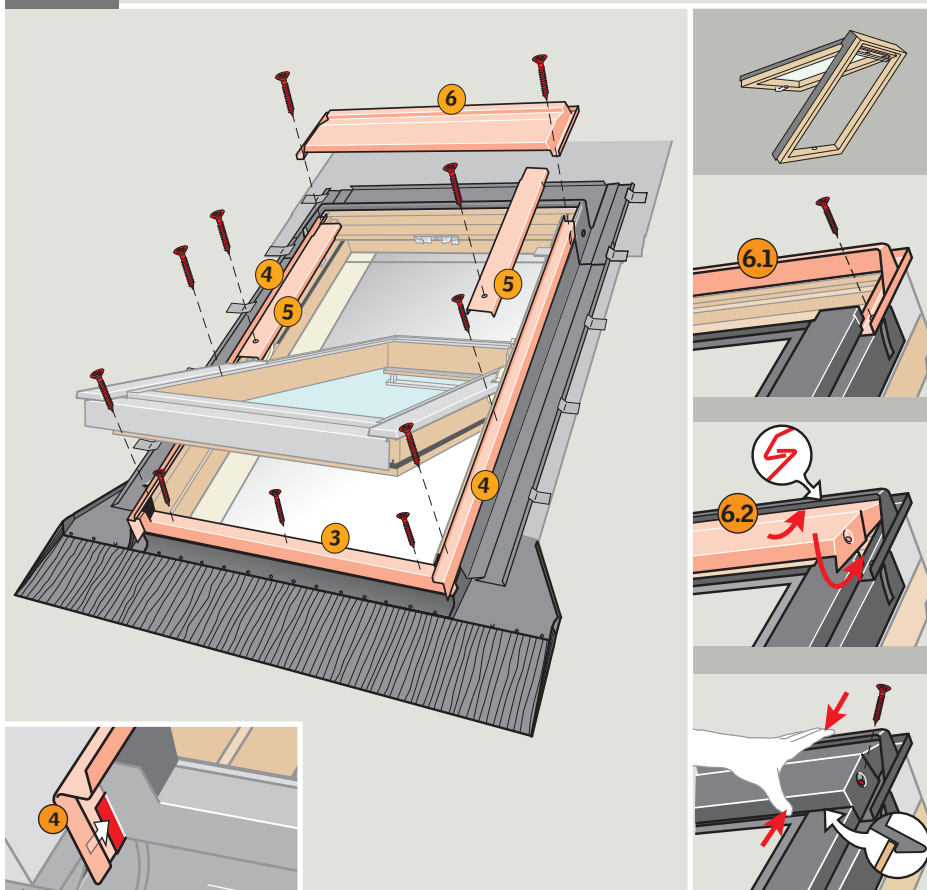
12a FS, VS, VSE

ENGLISH: Replace cladding as shown.



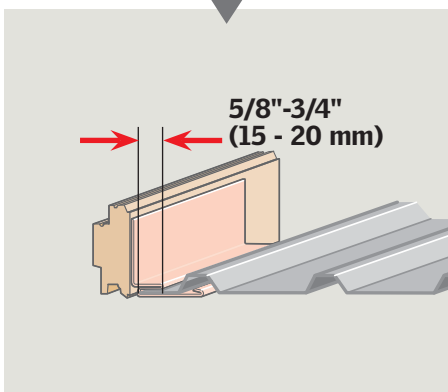
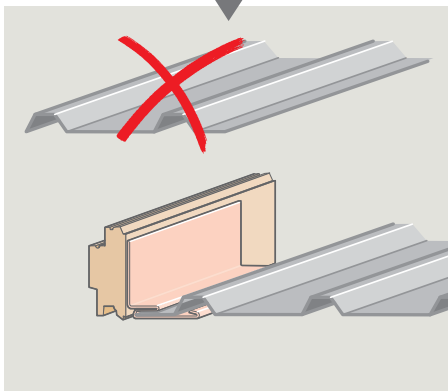
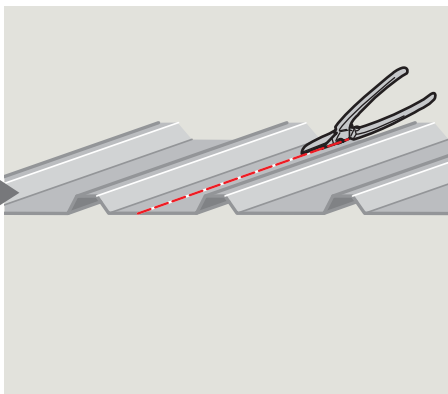
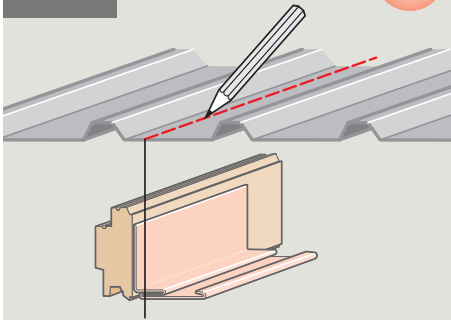
12b GGL, GPL

ENGLISH: Replace cladding as shown.





13a



ENGLISH: When the roofing material fits into the retaining channel on the side flashing section, cut roofing material to engage with side flashing section as shown.

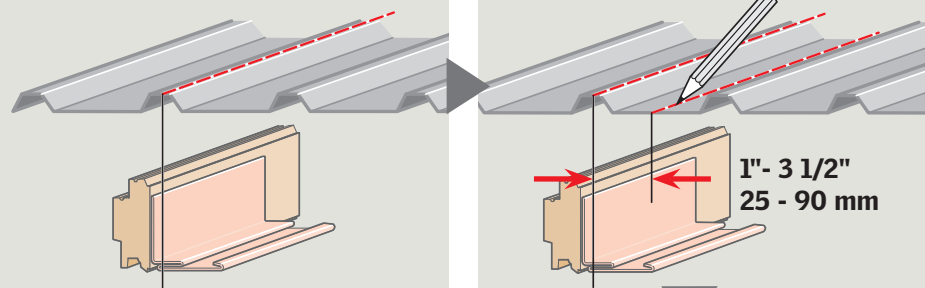




13b

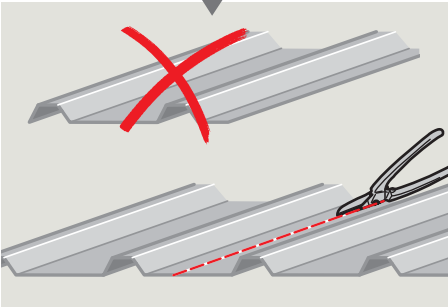


1

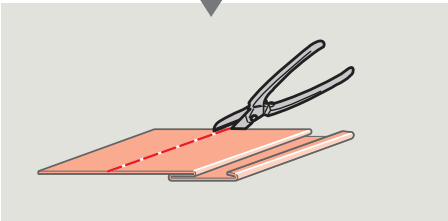
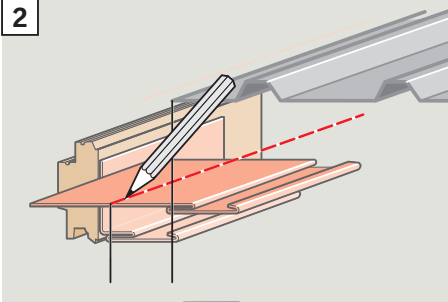


ENGLISH: When the roofing material conflicts with the retaining slit in the side flashing section, the auxiliary flashing piece must be used to extend the side flashing section.

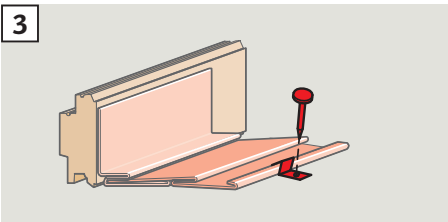
- 1 To reduce the amount of visible flashing, the conflicting wave is cut off with distance to bottom of slit as shown.
- 2 Cut the auxiliary side section to fit as shown.
- 3 Engage the auxiliary side section and secure to roof as shown.
- 4 Engage the roofing material as shown.



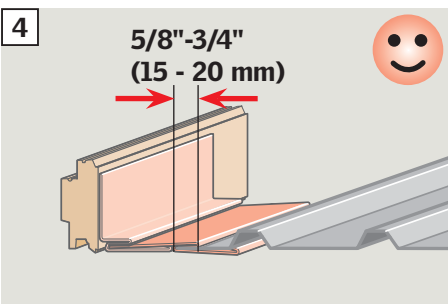
2



3

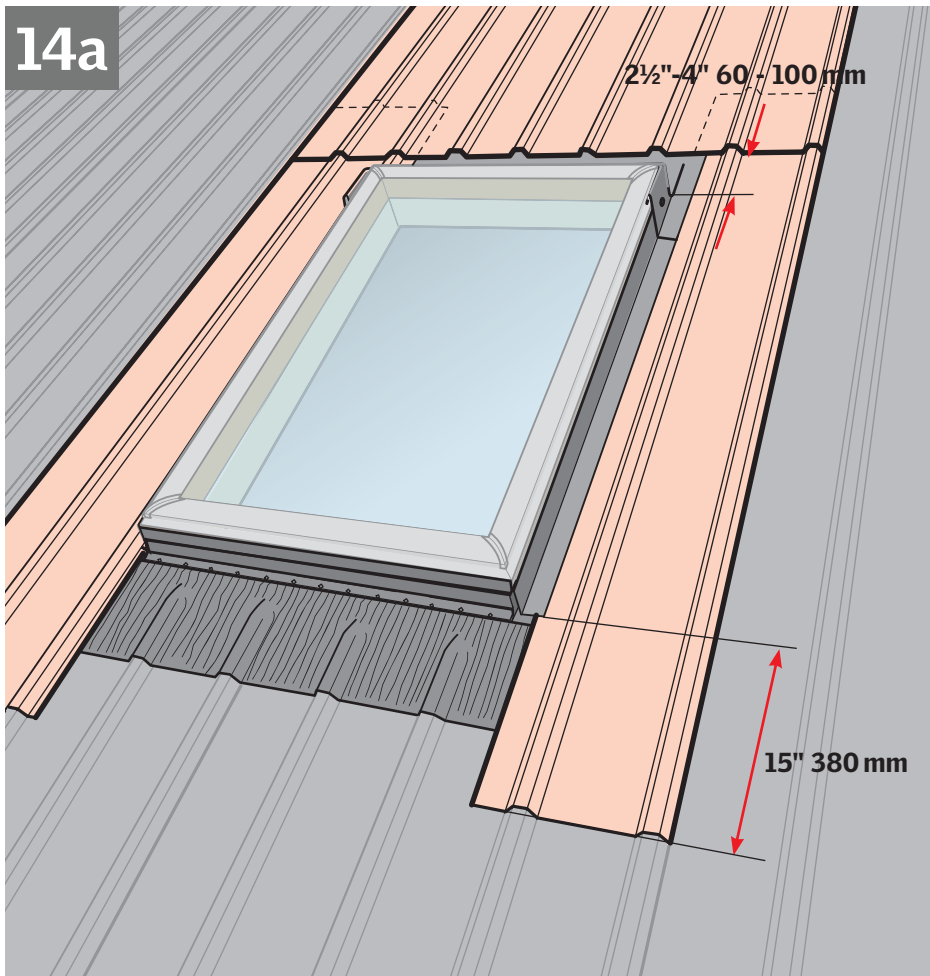


4

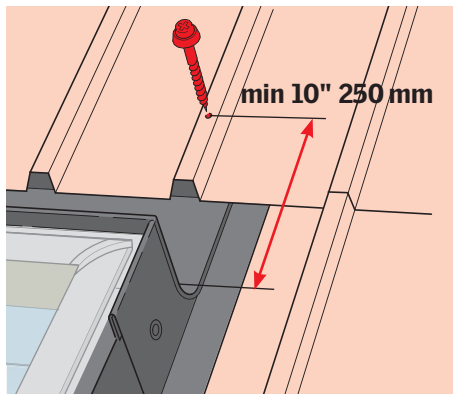
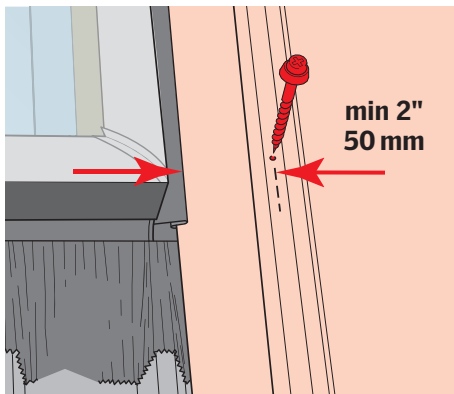




14a

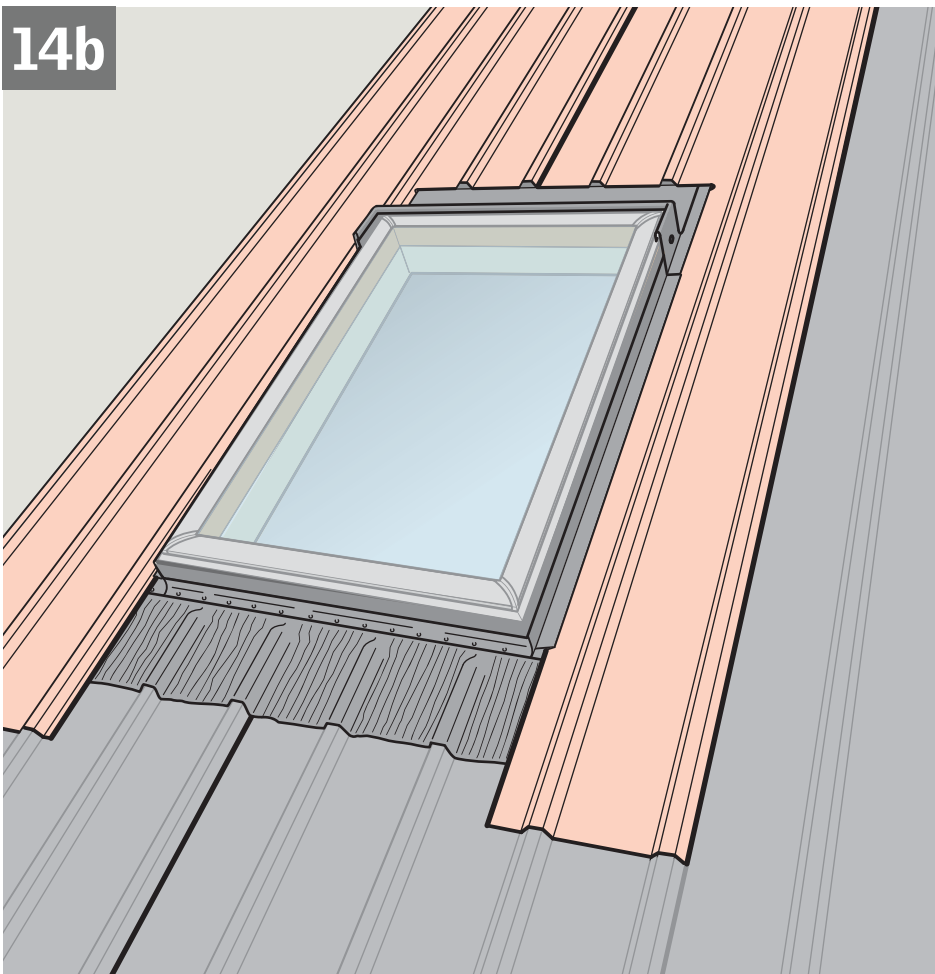


ENGLISH: Cut the roofing material maintaining 2 1/2 - 4" (60 - 100 mm) clearance at the top. Make necessary overlaps and use closure strips between saddle flashing and roofing material, following roofing manufacturer's instructions. Do not perforate flashing when attaching the roofing material; maintain minimum distance for fasteners, see details.

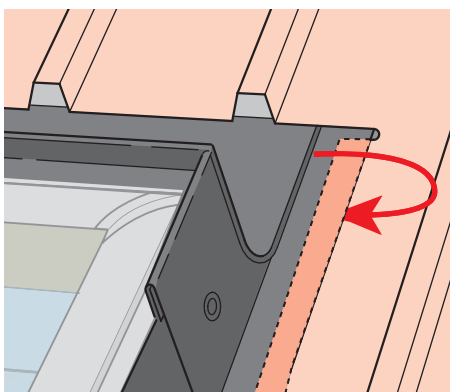




14b



ENGLISH: With an installation including two or more roofing panels, the overlaps at the top can be avoided by cutting the side panels and add a notch to allow engagement on the sides.





USA: VELUX America Inc.
1-800-88-VELUX

CDN: VELUX Canada Inc.
1 800 88-VELUX (888-3589)

www.velux.com

EDW DECK MOUNTED SKYLIGHT FLASHING INSTALLATION INSTRUCTIONS. ©2009 VELUX GROUP. VELUX AND THE VELUX LOGO ARE REGISTERED TRADEMARKS USED UNDER LICENSE BY THE VELUX GROUP.
INSTRUCCIONES DE INSTALACIÓN PARA EL SOLO EDW. ©2009 VELUX GROUP. VELUX Y EL LOGO VELUX SON MARCAS DE COMERCIO REGISTRADAS USADAS BAJO LICENCIA DE VELUX GROUP.

